



### LTT-cubicles

Eltete Oy



European technical  
approval ETA-01/0002



LTT 24 mm, powder-coated aluminium frame, special fittings, Keskinen Tavarapuoti, Tuuri



LTT 24 mm, digiprint laminate, powder-coated aluminium frame, Linnanmäki Ratalaakso

#### LTT CUBICLES

- Partition walls (toilets) in low humidity areas:  
LTT 24 mm, LTT day care centre and LTT PLM
- Partition walls used mainly in wet areas: LTT-Compact 13 mm
- Special partition walls: LTT Inox

#### MEASUREMENTS

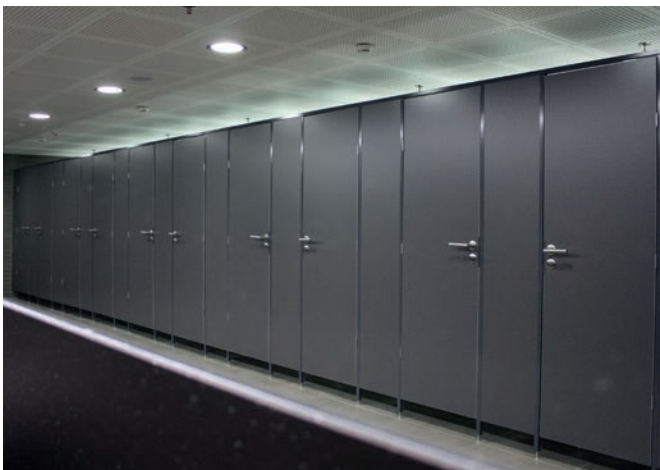
Standard measurements are:

- door leaf 1947 x 602 mm or 1947 x 902 mm
- total height 2100 mm
- wall panel height 1980 mm

Front panel and partition width according to measurements.  
LTT partition walls are supplied also to the customer's specifications.



LTT 24 mm, Congress Wellness Hotel, Långvik



LTT 24 mm, Logomo, Turku



LTT Inox, digiprint laminate, Forum, Helsinki

**Partition walls in low humidity areas**

**LTT 24 mm**



LTT 24 partitions are very robust and designed to be durable.

- total height 2100 mm, height of lower gap 120 mm (adjustable feet)
- core: 22 mm moisture resistant particle-board and high-pressure laminates on both sides = total thickness app. 24 mm
- frame: naturally anodised aluminium frame
- lock: Boda 2014
- handle: Abloy Prime 15/006/0350 ZN HCR
- hinges: Assa A1206-65 mm



LTT 24 mm day care centre Care centre hinge



LTT 24 mm day care centre, special doors

**LTT day care centre models**

The model is specially designed for daycare centers. The model is basically the same as LTT 24 but the doors and partitions can be made lower. In our model there is 10 mm safety hole.

**LTT PLM**

The model is designed for demanding objects such as restaurants and military bases. The model is basically the same as LTT 24 or LTT 13 but in addition to that they are strengthened with an extra aluminum profile 40x40x3 mm horizontal on top inside the cabin and both sides of the door.



Salmisaari Sports Centre



LTT 24 mm, Roskilde, Denmark

**Partition walls used mainly in wet areas**

**LTT-Compact 13 mm**

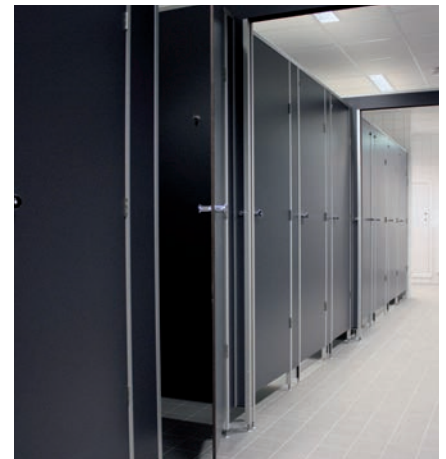


LTT- Compact 13 is especially designed for wet areas.

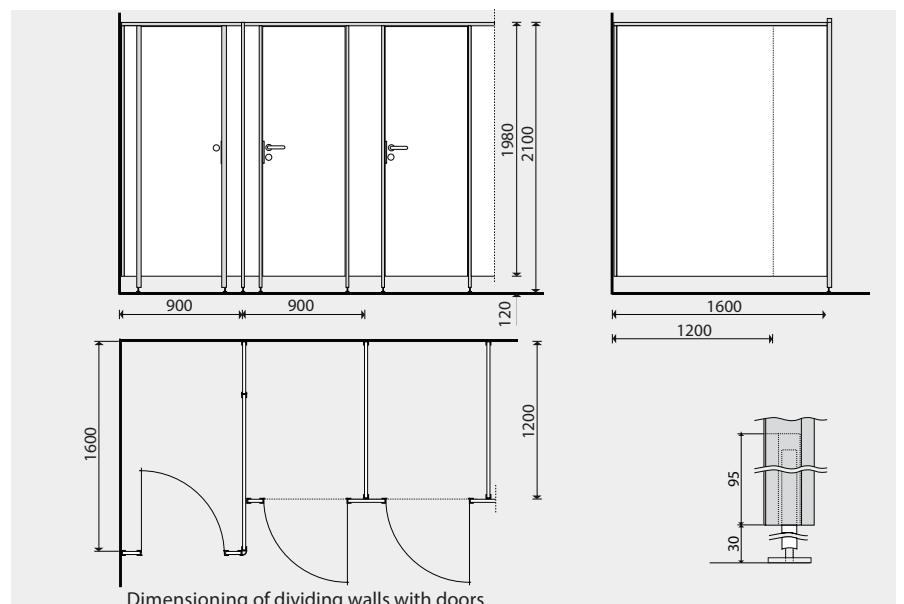
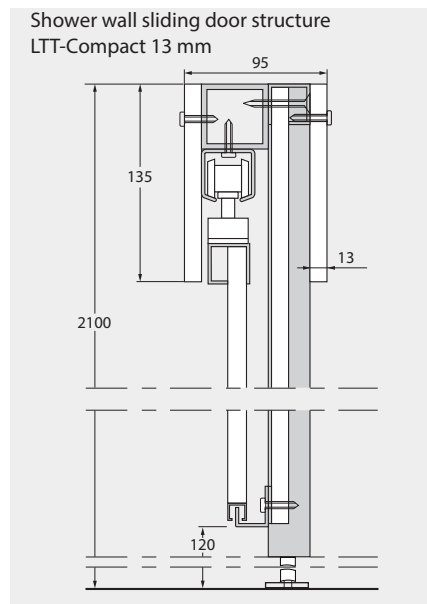
- total height 2100 mm, height of lower gap 120 mm under (adjustable feet)
- core: 13 mm compact (solid) high-pressure laminate
- frame: naturally anodised aluminium
- lock: Abloy DF 1002 ZN HCR



LTT 13 mm, Swedbank stadion, Malmö



Kista Exhibition Center, Stockholm





## Special partition walls

Special partition walls according to measurements and drawings. For example it is possible to print your own photo on top of the HPL laminate surface (digiprint).

### LTT Inox

- total height 2100 mm, height of lower gap 100 mm (adjustable feet)
- core: front walls 30 mm moisture resistant MDF, dividing walls 22 mm moisture-resistant particleboard and high pressure laminates on both sides
- front walls are fixed with stainless steel u-profiles and stainless steel 40x40x3 mm horizontal profiles on top inside the cabin. Dividing walls are fixed with u-profiles and there is 2 mm stainless steel profile around the doors and around the front sheets.
- feet: rst 25 mm
- lock: Boda 2014
- handle: Abloy 3-19S
- knob: Abloy rst



LTT Inox, digiprint laminate, houses of Kiseleff and Sunn, Helsinki



Special partition wall, digiprint laminate, Biitsi, Salmisaari Sports Hall



LTT Inox



Special partition wall, day care centre model, Ymmersta day care centre



LTT Inox, Academic Bookstore, Helsinki

## DELIVERY

Delivery includes all partition wall components. The elements have been tooled to specified measurements and come fitted with the necessary holes and fittings. All the customer has to do is to assemble them. Each consignment includes clear assembly instructions.

Eltete can also offer assembly work.

## CLEANING AND MAINTENANCE

Use conventional non-abrasive cleaning materials to clean high-pressure laminate panels. Do not wax as the layer of wax easily turns grey.

When cleaning aluminium profiles do not use alkaline or caustic alkali detergents.

### Cleaning

Dirt	Common cleaning agents	Alcohol, window cleaning agents	Acetone
Fingerprint	x	x	
Grease, oil	x		
Soot, nicotine	x	(x)	
Inks	x		
Coffee, tea	x		
Fruit stains	x		
Wax pens, ball-point pens		x	x
Marking pens		x	x
Lacquer, glue, paste <sup>1)</sup>			x
Lipstick, shoe polish	x		x
Nail polish			x
Calcium deposits <sup>2)</sup>			
Rust <sup>3)</sup>			

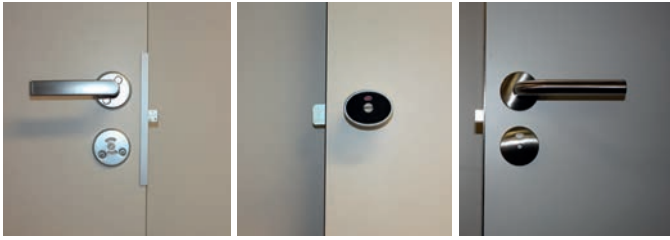
<sup>1)</sup> Double component glue stains cannot always be removed.

<sup>2)</sup> Calcium deposits, found in such areas as shower rooms, are removed with a 10% acetic acid solution

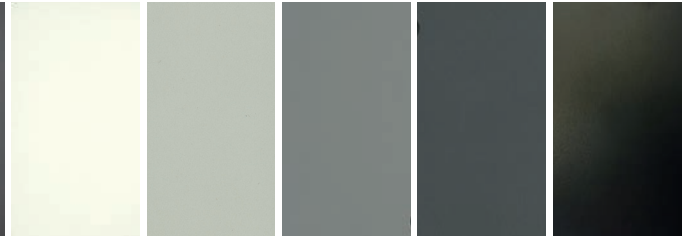
<sup>3)</sup> Citric acid solution for ingrained dirt.

**Standard door fittings**

**Storage colours (other colours to order)**



LTT 24 mm      LTT-Compact 13 mm      LTT Inox

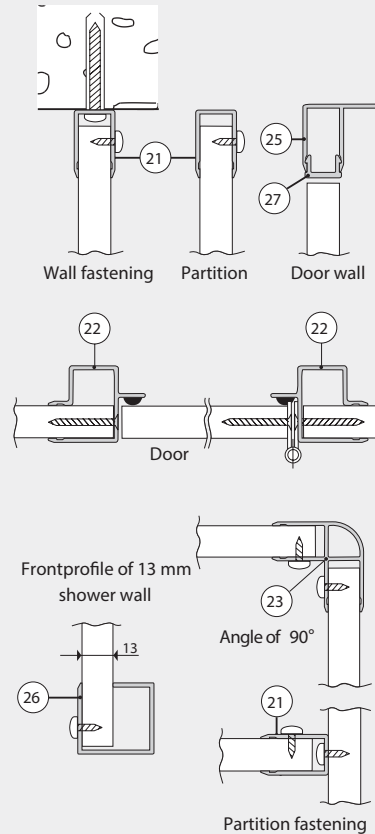
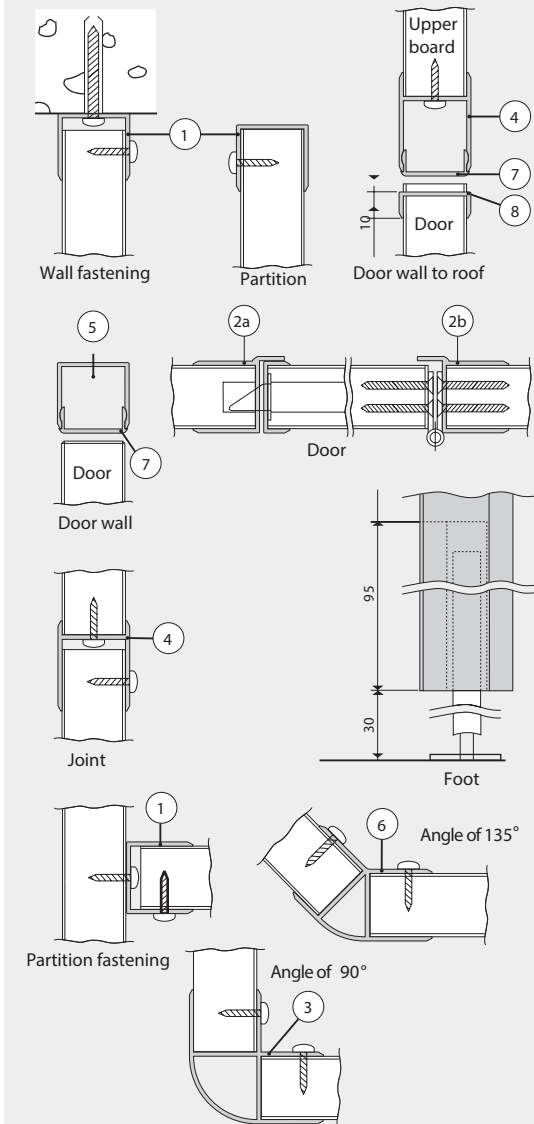


White RAL 9010      Light grey RAL 7035      Graphite grey RAL 7045-46      Dark grey RAL 7024      Black RAL 9011

**ALUMINIUM PROFILES AND FASTENINGS**

**LTT 24 mm**

**LTT-Compact 13 mm**



Partition wall parts are worked and marked at the plant to customer's specifications. A list of parts and assembly instructions are included with delivery. Eltete can also assist with design and assembly work.

**MANUFACTURE, SALES AND INQUIRIES**

Eltete Oy  
 PO Box 94  
 FI-07901 Loviisa, Finland  
 Tel. +358 10 505 6400  
 info@eltete.com  
 www.eltete.com

