

INSTALLATION INSTRUCTIONS FOR INOX

General

The wall elements of LTT cubicles are delivered on special pallets designed to protect the delicate laminate surfaces during transportation and storage. Profiles and hardware are supplied in separate packages.

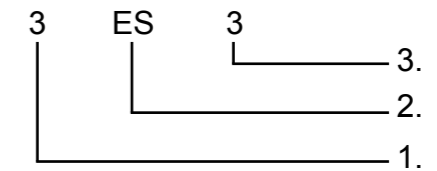
Marking

The profiles for each room have been made up into bundles with the number of the room marked on them.

The elements are coded as follows:

- OL door element
the opening direction of the door is marked
- + left-handed, opens to the left
- ++ right-handed, opens to the right
- ES front wall element
- VS partition wall
- SS partition wall for shower
- YL top board for cubicles exceeding

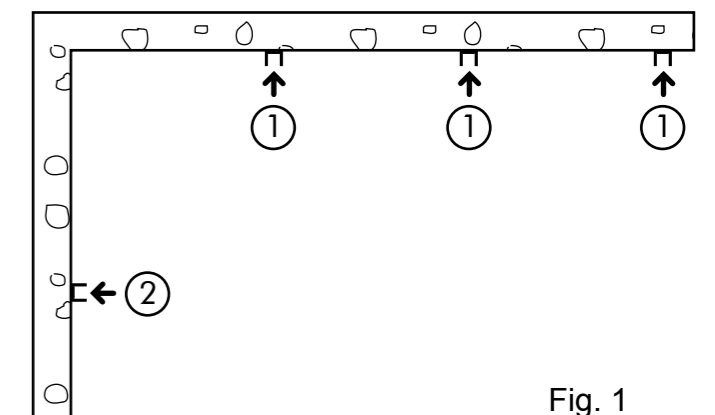
Example



1. Number of room
Every room with cubicles has its own running number which is marked on every element and bundle of profiles to be installed in the same room.
2. Code of element
3. Ordinal number of element
Different sized elements having the same code and belonging to the same room are marked with an ordinal number.

Montering av skärmväggar

1. Attach profile no 1 (length ~1950mm) to the back wall of the room and profile no 2 (length 2000mm) to the sidewall. Use screws 4x40mm. The profiles should be 100mm above the floor. Check that the bottom ends of the profiles are on the same level.



Box 94, FIN-07901 LOVIISA, FINLAND
Tel: +358 (0)19 510 31 Fax: +358 (0)19 510 3201
E-Mail: info@eltete.com Internet: www.eltete.com

Fig. 1

2. Lift the partition walls in to profiles (no 1) and fasten with screws 4x20mm. Place a 100mm high support under the partition wall in the front edge.

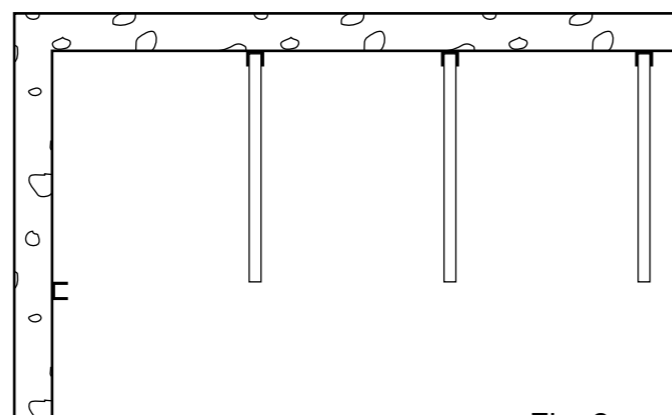


Fig. 2

3. Fasten profile no. 1 (length 1950mm) to the front walls, with 4x20mm screws. The bottom end of the profile and the front wall must be on the same level. Attach the front walls to the partition walls and measure the door width to 613mm. Mark the places for the adjustable screws on the floor and drill a 6mm hole about 3-4mm deep. If you are not allowed to drill in the floor, use washers that are glued to the floor. See picture 7a and b. Then fasten the front walls with 4x20mm screws to the partition walls.

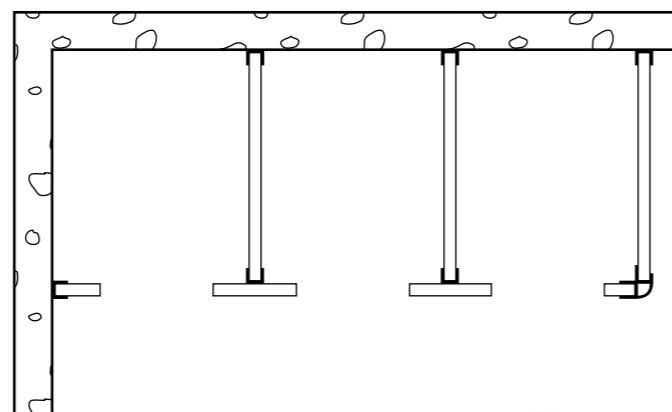


Fig. 3

4. Check that the width of the doorway is 613mm and attach the 40x40x2mm profile with 5x60mm screws. See picture 6. The 40x40x2mm profiles are 10mm shorter than the front wall.

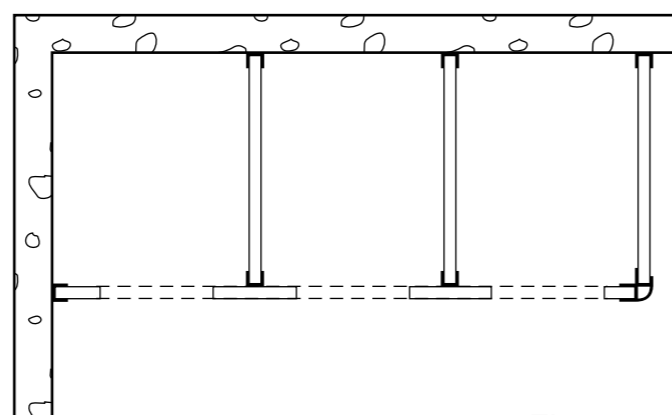


Fig. 4

5. Then fasten the hinges to the front walls and to the doors with 5x35mm screws and attach the door. Check that the door shuts tightly and make adjustments if necessary.

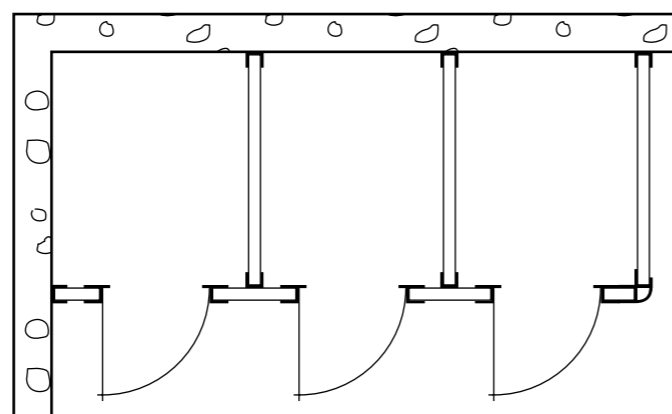


Fig. 5

6. Fasten the latches and the door handles. Make a cavity to fit the latch bolt to the side of the front wall.

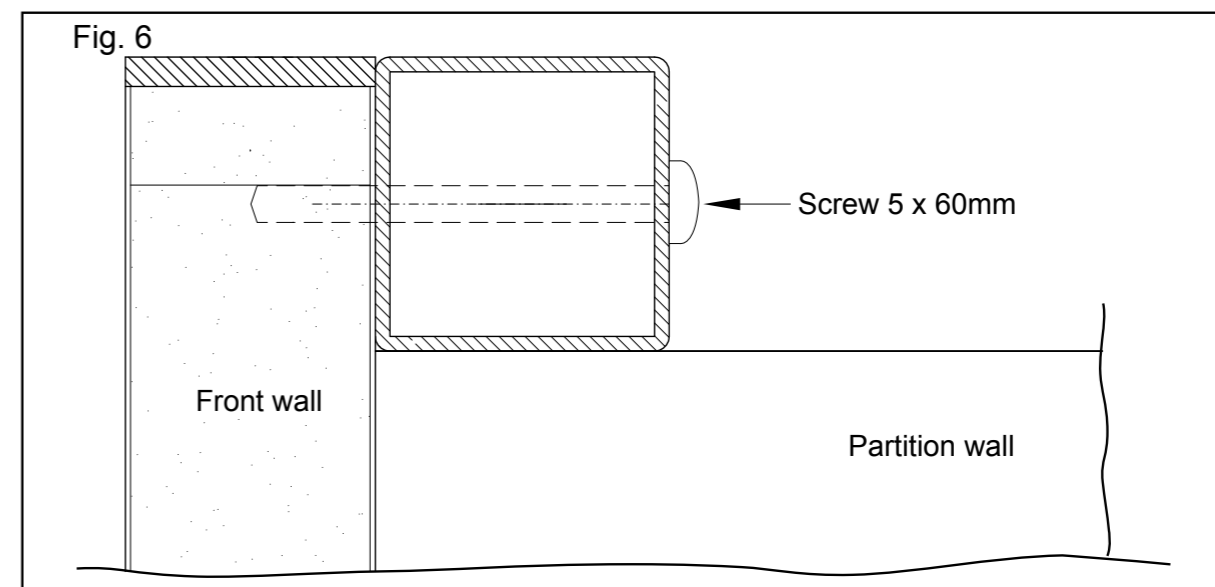
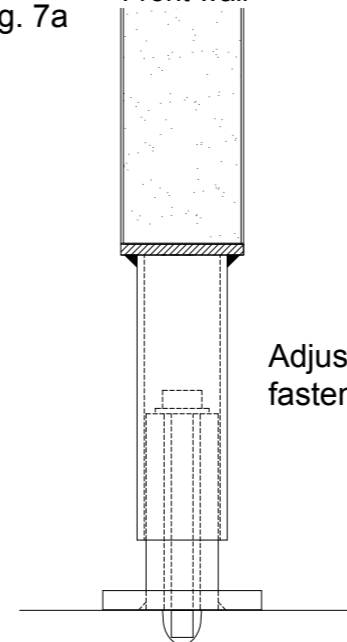


Fig. 7a

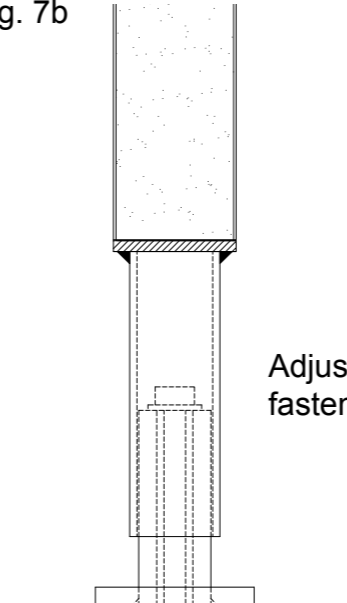
Front wall



Adjustable screw
fasten by drilling

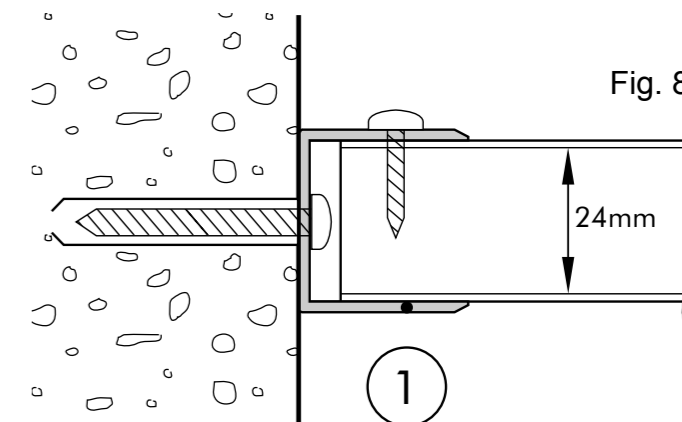
Fig. 7b

Front wall



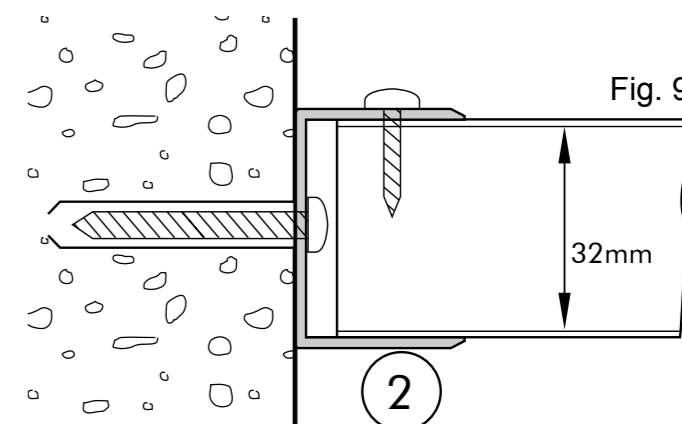
Adjustable screw
fasten by gluing

Fig. 8

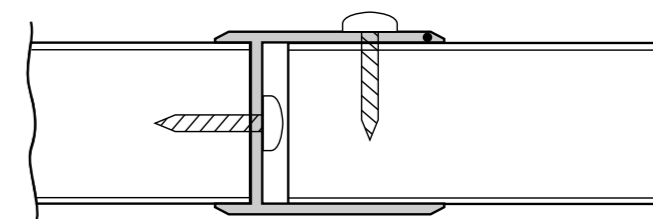


Fastening to the back wall

Fig. 9



Fastening to the side wall



Butt joint